

Engine output : 9.4 PS

Machine weight : from 580 kg to 735 kg

For Earth, For Life

Kubota

# KC70-4

## KUBOTA TRACKED DUMPER



# COMPACT, POWERFUL AND DESIGNED FOR OPTIMUM COMFORT, THE NEW KUBOTA KC70-4 SAVES YOU TIME AND TROUBLE. FIVE VERSIONS ARE AVAILABLE : H/HV/VHD/SL/VSL.



## Unloading operation

Unloading operation is fast and easy. The profile of the skip has been designed to ensure a quick discharge of the material. With a dumping angle of 88°, all materials exit easily from the skip.

## Clean environmentally friendly engine

Tough and reliable, the air and oil cooled KUBOTA diesel engine delivers high torque, enhanced power (9.4 PS at 3500 rpm) and optimum fuel efficiency to minimise operating costs. It also features cleaner emissions and quieter operation which means it has lower impact on the environment.



## Maintenance

A large opening bonnet gives good access to the main areas for daily maintenance : fuel tank, air filter, engine oil level, reserve tank and battery isolator switch.



## Compact Design

With an overall width of only 758 mm, the KC70-4 efficiently transports material through gates and doorways, between houses, buildings and many other narrow spaces.

# KUBOTA TRACKED DUMPER

## KC70 H/HV-4



### Grease tension system and short pitch track

The rubber crawler is tensioned by a grease cylinder. This feature allows cushioning when foreign materials are going into the crawler. In addition, the short pitch track offers smooth drive for higher comfort for the operator.



### Transmission

The KC70-4 crawler dumpers are equipped with an hydraulic transmission. This advanced transmission offers smooth control, the operator can select the speed best suited for the terrain, and can easily shift from High speed (up to 3.8 km/hr) for flat surfaces, to Low speed (up to 2.8 km/hr) for rougher terrain. This system helps make working more efficient and productive, reducing maintenance and also fuel consumption.

### Variable undercarriage (KC70HV-4)

The variable undercarriage extends the overall width from 758 mm to 1058 mm. At minimum width, the KC70-4 can easily go through a standard door. At maximum width, the KC70-4 offers great stability in all conditions.



### Comfortable & Easy Operation

All levers and controls are easy to reach and operate. A grab handle bar secures the operator during operation.

### Foldable foot plate

The KC70-4 features a foldable foot plate. When the plate is down, the operator can safely stand on it to operate the machine. When the plate is folded up, the overall length is reduced by 182 mm in order to gain space for transport or storage. The standing operation position makes it easier when getting on and off the machine.



### Performance

With a maximum loading capacity of 700 kg and a heaped volume of 0.34 m<sup>3</sup>, the KC70-4 can transport material inside and outside buildings where space to maneuver is limited. The KC70-4 can easily avoid obstacles with a rear angle of 28° and a ground clearance of 202 mm.



# KUBOTA TRACKED DUMPER

## KC70 VHD-4



Dumping height at pin height

### Truck easy loading operation

Thanks to its high dump function, the KC70VHD-4 can empty its load up to 1,43m high (pin height). In addition, the dumping reach of 447mm allows to easily empty the load from the skip far away enough from the side of the truck edge.

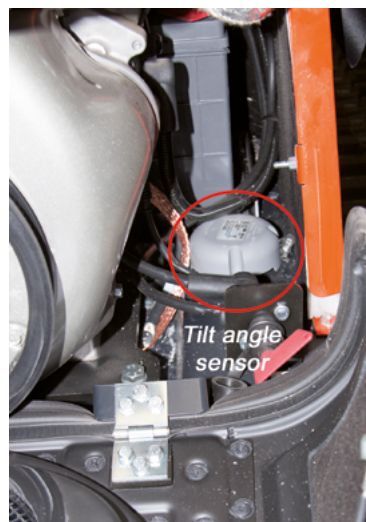


### Vertical lift

Due to the telescopic mast, the Kubota KC70VHD-4 lift the load vertically which guarantees excellent stability.



Micro switch on the lifting frame



Tilt angle sensor

### Safety

A warning buzzer turns on when the skip is at a certain level if the slope angle is more than 8°C. A sensor located in the engine compartment, detects the angle of the frame, the limit being 8°C. A micro-switch located on the lifting arm detects the position of the skip. It operates when the skip reach a certain level preset by the factory.



### Convenient width

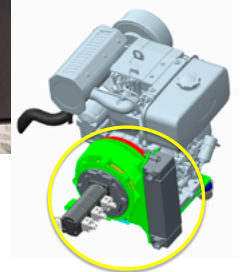
Like the others models of the product family, The Kubota KC70VHD-4 has been designed to work in confined area. Its variable undercarriage allows to drive through narrow spaces when minimum tread is set (758mm overall width) and insure an excellent stability the undercarriage is extended at maximum position (1058mm).



### Control panel

An holding bar protect the control levers. All the controls levers are easy to reach and activate.

# KUBOTA TRACKED DUMPER KC70SL/VSL-4



## Hydraulic oil cooler

Due to the self loading function, the KUBOTA KC70SL/VSL-4 is subject to work non-stop with a potential for the hydraulic oil temperature to rise. In order to prevent damages to the hydraulic circuit, Kubota has chosen to feature a hydraulic oil cooler as standard.



## Hydraulic cylinders

The loading shovel is activated by two hydraulic cylinders located under the skip. Due to their position, they are well protected and they ensure a good lifting capacity.

The models KC70SL-4 and KC70VSL-4 are crawler dumpers featuring a selfloading shovel. This device is very useful when you need to remove loose material (such as sand or gravel) or to clear demolition rubble. The minimum width of 758mm allows easy access inside buildings. On the VSL version, the variable undercarriage insures good stability regardless of ground condition. The loading capacity of 700kg makes the KC70-4 SL/VSL the ideal working mate for all jobs in the construction activity.

## Control panel

All the levers are well protected by a bar which is used as well to hold on the machine. The levers are designed for easy grip and activation.



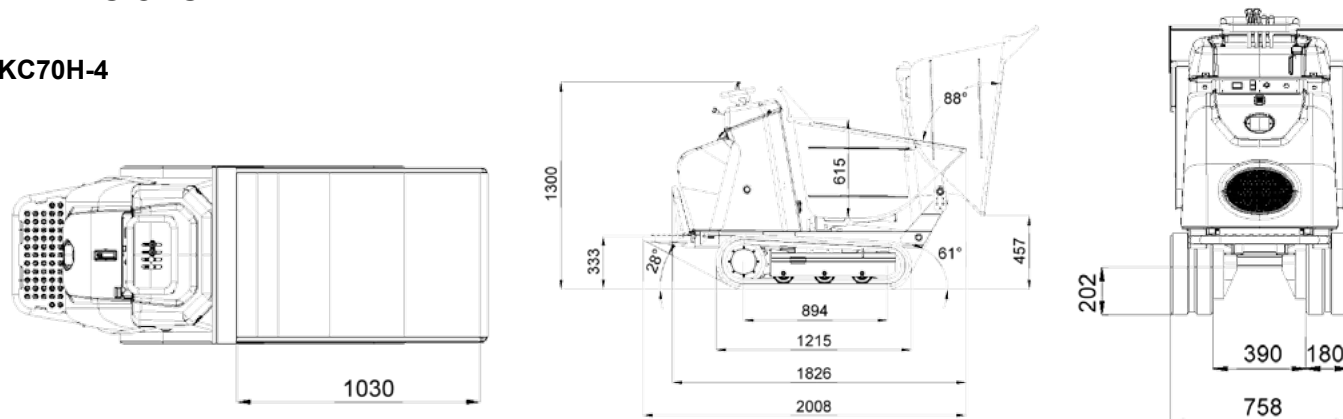
## SPECIFICATIONS

Model		KC70H-4	KC70HV-4	KC70VHD-4	KC70SL-4	KC70VSL-4
Engine	Make	Kubota				
	Model	OC95				
	Output kW (PS) / rpm	7,1 (9,4) / 3500				
	Displacement cc	416				
	Cooling system	Air and oil cooled				
Service weight	kg	580	660	740	655	735
Max. loading capacity	kg	700		550	700	700
Skip tipping system		Hydraulic				
Dumping direction		Front				
Dumping height	mm	450		1355	431	431
Transmission	Type	Hydraulic				
	Hydraulic pump	2 gear type pumps				
	Flow (for each pump) ℓ/min	2 x 14.2				
	Hydraulic motors	Orbital motor				
	Max. pressure bar	165				
	Main valve		4 sections	5 sections	6 sections	5 sections
Dimensions	Overall length mm	1860 / 2074		2010 / 2224	1892 / 2106	1892 / 2106
	Overall height mm	1300		1625	1563	
	Overall width mm	758	758 ~ 1058	758 ~ 1058	758	758 ~ 1058
Internal skip dimensions	Length mm	1030		943	1071	
	Width mm	675		677	628	
	Height mm	615		559	641	
	Dumping angle deg	88		85	88	
	Heaped volume m <sup>3</sup>	0,34		0,29	0,34	
	Level volume m <sup>3</sup>	0,28		0,24	0,28	
Undercarriage	Ground clearance mm	202	127	127	202	127
	Tumbler distance mm	894				
	Rubber shoe width mm	180				
	Track roller	3				
Travelling speed (Forward / Reverse)	1st speed km/h	0 ~ 2,6				
	2nd speed km/h	0 ~ 3,8				
	Max. gradeability	Front 15° / Side 20°		Skip down 15° / Skip up 8°	15°	
Fuel tank capacity	ℓ	5.5				
Hydraulic oil tank capacity	ℓ	27				
Ground pressure	Unloaded gr/cm <sup>2</sup>	180	205	230	203	228
	Loaded gr/cm <sup>2</sup>	398	423	401	421	446

\*The data have been measured on the standard version. Specifications are subject to change without notice.

## DIMENSIONS

### KC70H-4

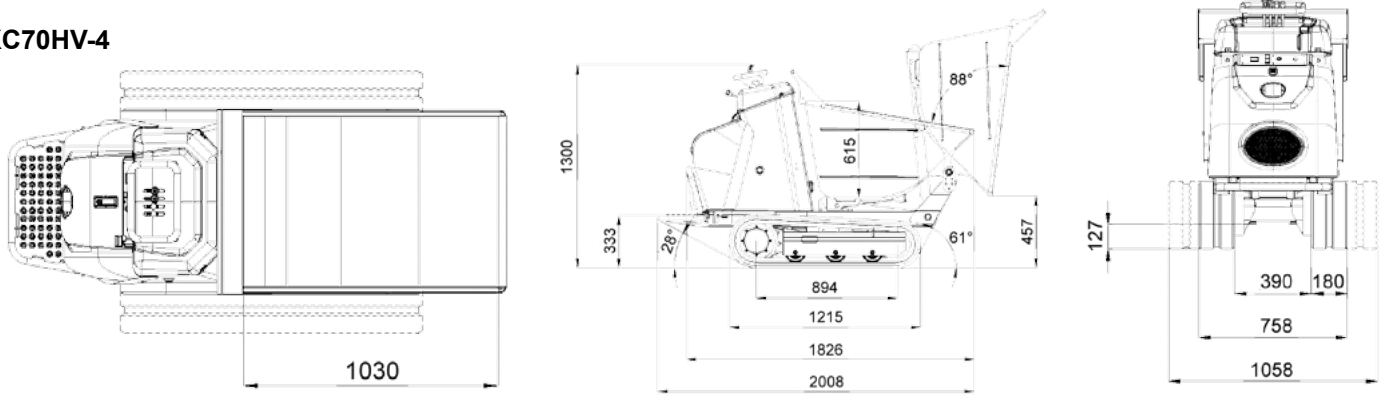


★ All image's shown are for brochure purposes only.

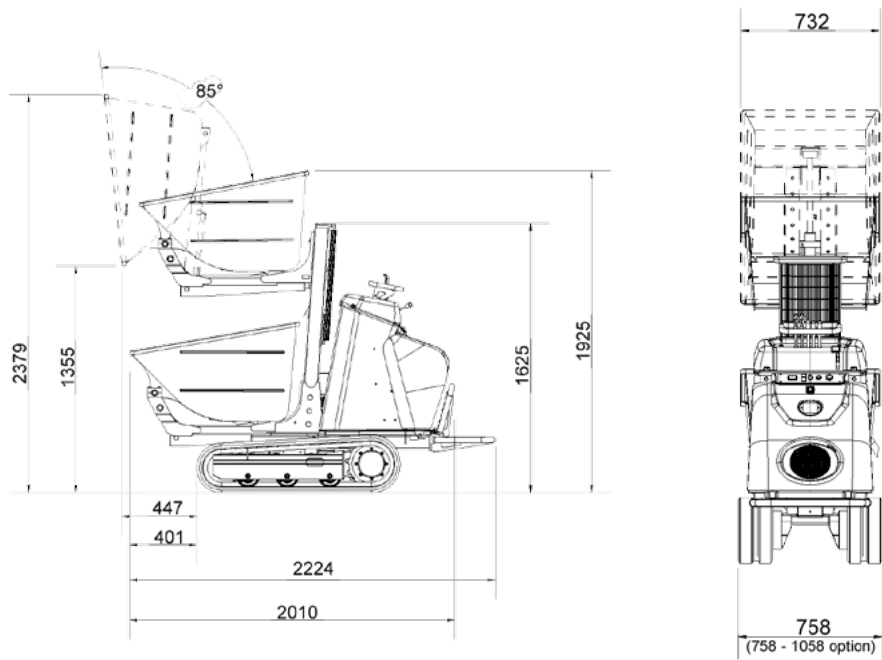
When operating the tracked dumper, always wear proper PPE clothing and equipment in accordance to local legal and safety regulations.

# DIMENSIONS

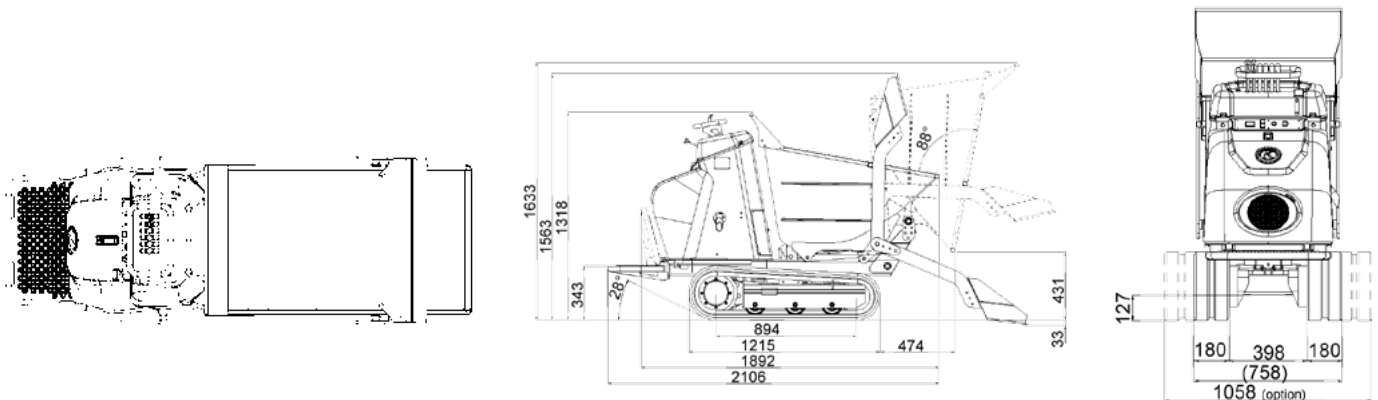
## KC70HV-4



## KC70VHD-4



## KC70SL-4 et KC70VSL-4



**KUBOTA EUROPE S.A.S.**

19 à 25, Rue Jules Verceyusse  
Zone Industrielle - B.P. 50088  
95101 Argenteuil Cedex France  
Téléphone : (33) 01 34 26 34 34  
Télécopieur : (33) 01 34 26 34 99  
<http://www.kubota-global.net>



**[Suivez-nous sur YouTube :](#)**  
**[KUBOTA Europe Construction Machinery](#)**